

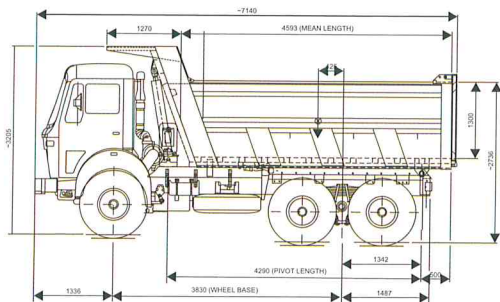
HD Tippers-LPK 2518

Excellent performance under difficult operating conditions 



HD Tippers-LPK 2518

		LPK 2518 HD
Engine	Model	Cummins B5.9 180 BSIII
	Max. Engine Output	183 HP @ 2500 rpm
	Max. Torque	680 Nm @ 1400 rpm
Clutch	Type	Organic, Single Plate Dry Friction Type
	Diameter (mm)	380
Gearbox	Model	G 1150
	No. of Gears	8 Forward, 1 Crawler, 1 Reverse
	Gear Ratios	Crawler 12.9 ; FGR 9.1
Axles	FA Type	Extra Heavy Duty Forged I Beam, Reverse Elliot Type
	RA Type	Tandem Axle Single Reduction
	RAR	6.83
Suspension	Front	Semi-elliptical Leaf Springs
	Rear	Inverted 37 Ton TML Bogie Suspension
	Anti-roll Bar	Both at Front & Rear
Chassis Frame	Type	Ladder Type Heavy Duty Frame with Rivetted & Bolted Cross Members
	Dimensions (mm)	285x65x7
Cabin	Type	All Steel Day Cabin
Wheels & Tyres	Tyre Type	Crossply, Non-mining
	Tyre Size	10x20 16 PR
Performance	Max. Speed	70 km/h
	Max. Gradeability	42% at Crawler; 30% at FGR
Dimensions	Ground Clearance (mm)	248
	Wheelbase (mm)	3880
Weight (KGS)	Kerb Weight (UNLADEN_WT)	7677 Kg
	Max. Permissible GVW	25000 Kg
Load Body	Type	Box
	Size	14 Cum



LPK 2518 HD 14cum Box

For more details and business related inquiries you can mail us at

Tata Africa Holdings (Kenya) Ltd. Tata Africa House, Mombasa Road, P.O. Box 5774-00200 Nairobi - Kenya.

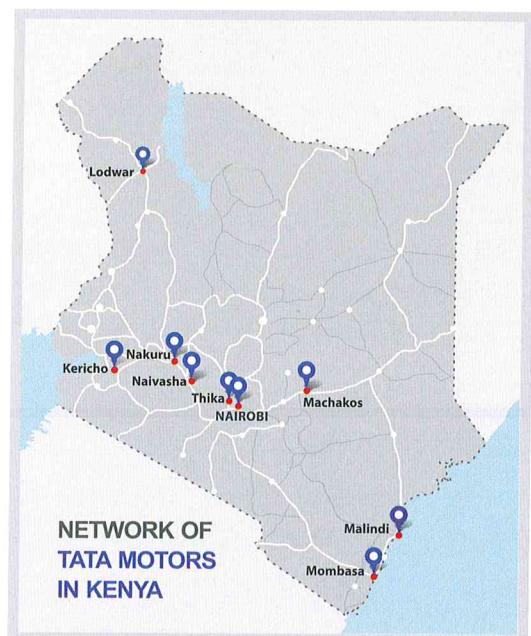
Email: tatasales.kenya@tatainternational.com

Mob No: +254 722266484 / +254 780700764 / +254 780769880 / +254 722281750.

Tata Africa Holdings (Kenya) Ltd. Mombasa branch, Creek Marina, Fidel Odinga Road, Mkomani Nyali P.O. Box 95524-80106 Mombasa.

Mob No: +254 780713747

www.tatamotors.co.ke



**NETWORK OF
TATA MOTORS
IN KENYA**